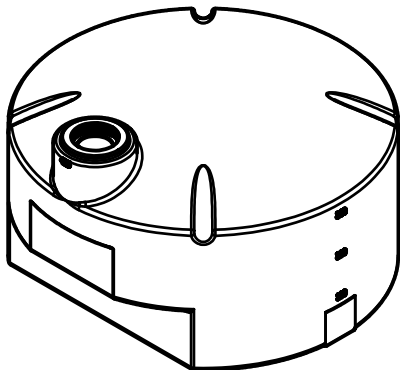
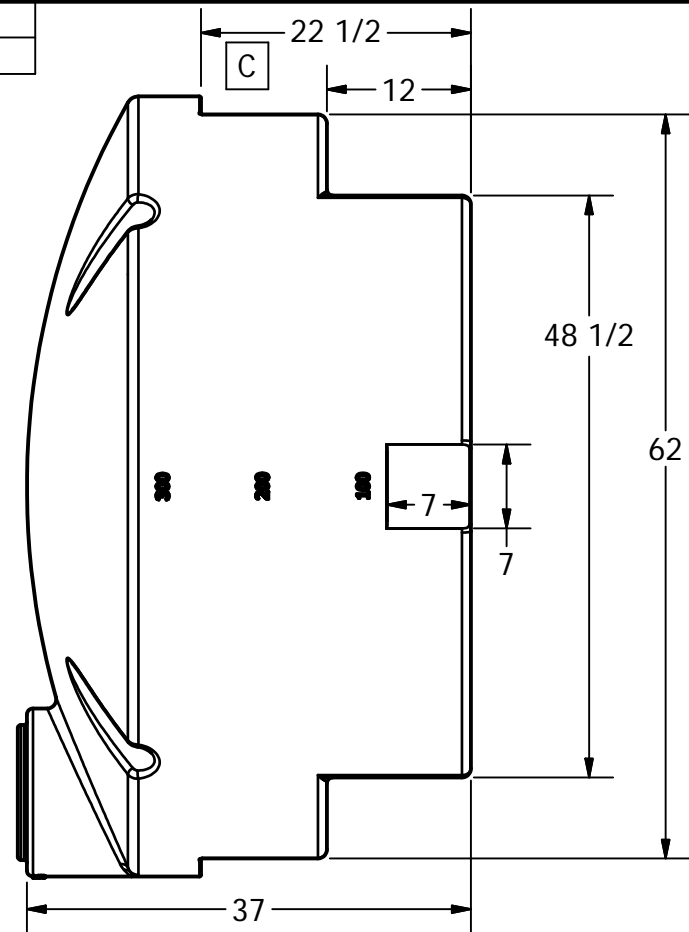
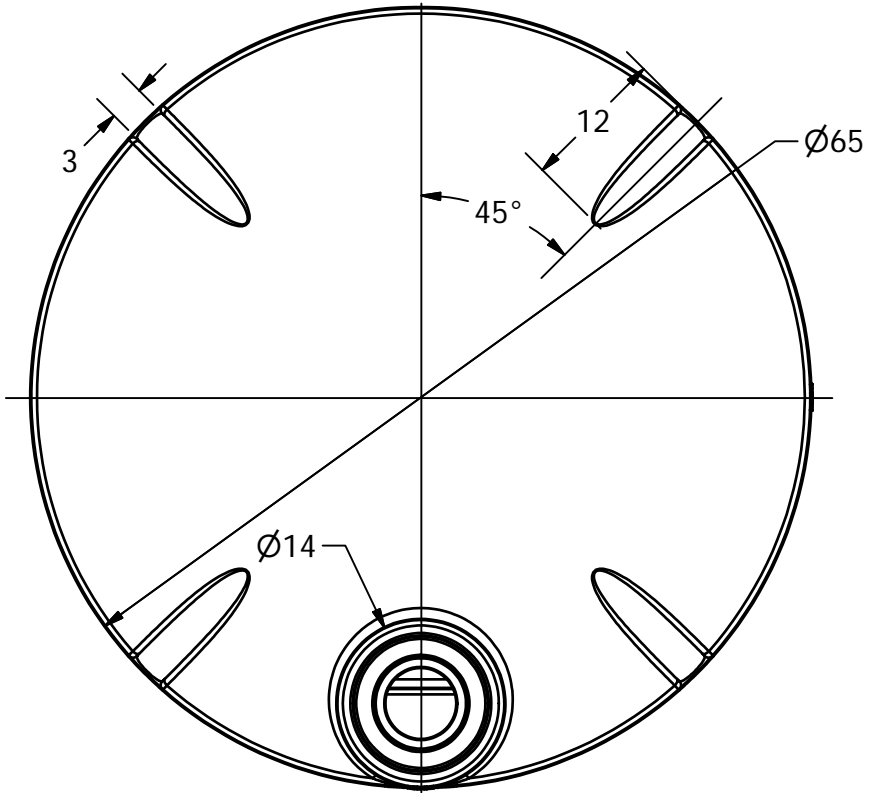



REV	DESCRIPTION	DATE	AUTHOR
C	REDRAWN, WAS 20	08SEP08	Jerry Paulson



DRAWN Jerry Paulson	DATE 9/8/2008		
CHECKED		NORWESCO, INC., ST. BONIFACIUS, MN	
QA		TITLE	
MFG		425 GALLON PICKUP TANK	
APPROVED Jerry Paulson		SIZE A	REV C
		DWG NO	
	SCALE: 1/16	SHEET 1 OF 1	